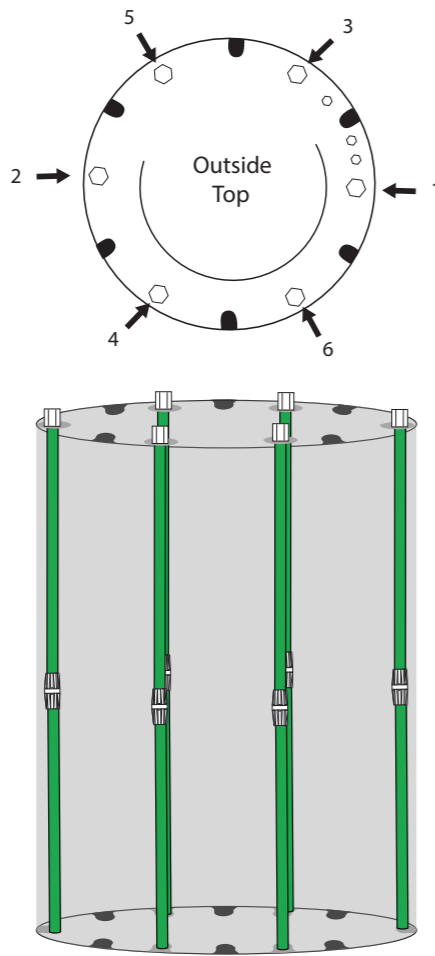


### Step 4

Fit remaining support poles as shown in previous steps, fitting opposites.

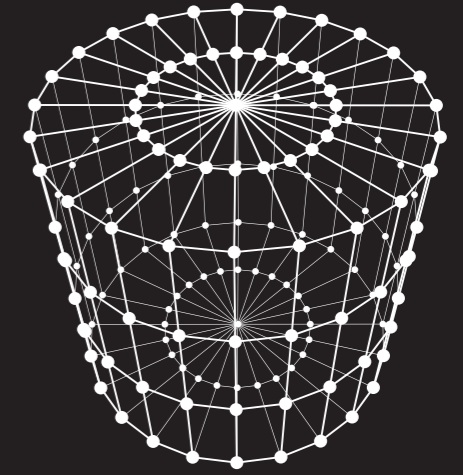


## Assembly Instructions



### COLLAPSIBLE RESERVOIR

- Ultra strong, anti-tip design
- Simple assembly in minutes
- Reflective and light tight
- Internal capacity markings
- All fittings included
- 1 year manufacturers warranty



Dimensions when full:

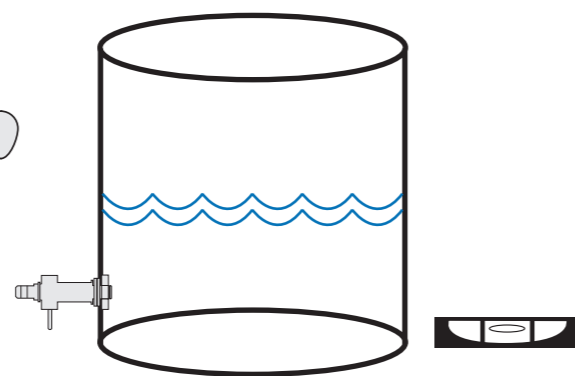
**225ltr/60gal**  
585mm x 850mm / 23" x 33.5"

**400ltr/105gal**  
735mm x 1050mm / 29" x 41.5"

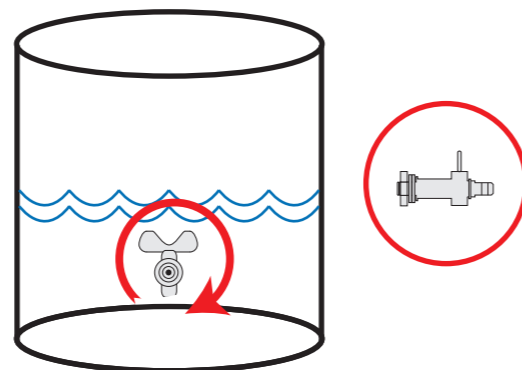
### Step 5

- Ensure tap is in the closed position

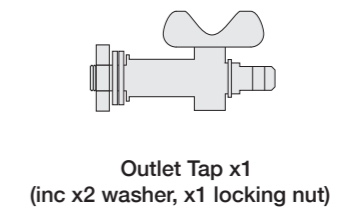
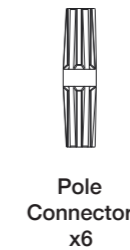
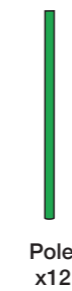
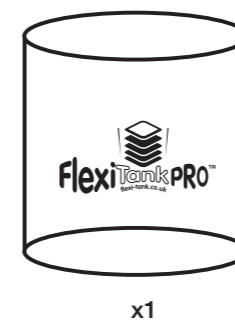
Position your FlexiTank on a smooth flat surface. Half fill with water.



Twist the tap clockwise to the upright position.

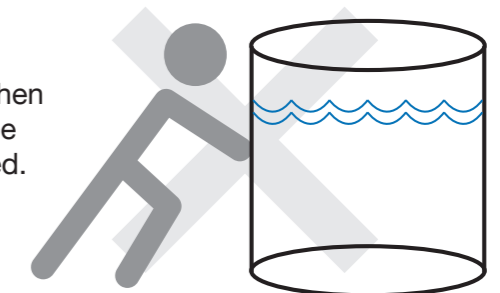


### Parts List



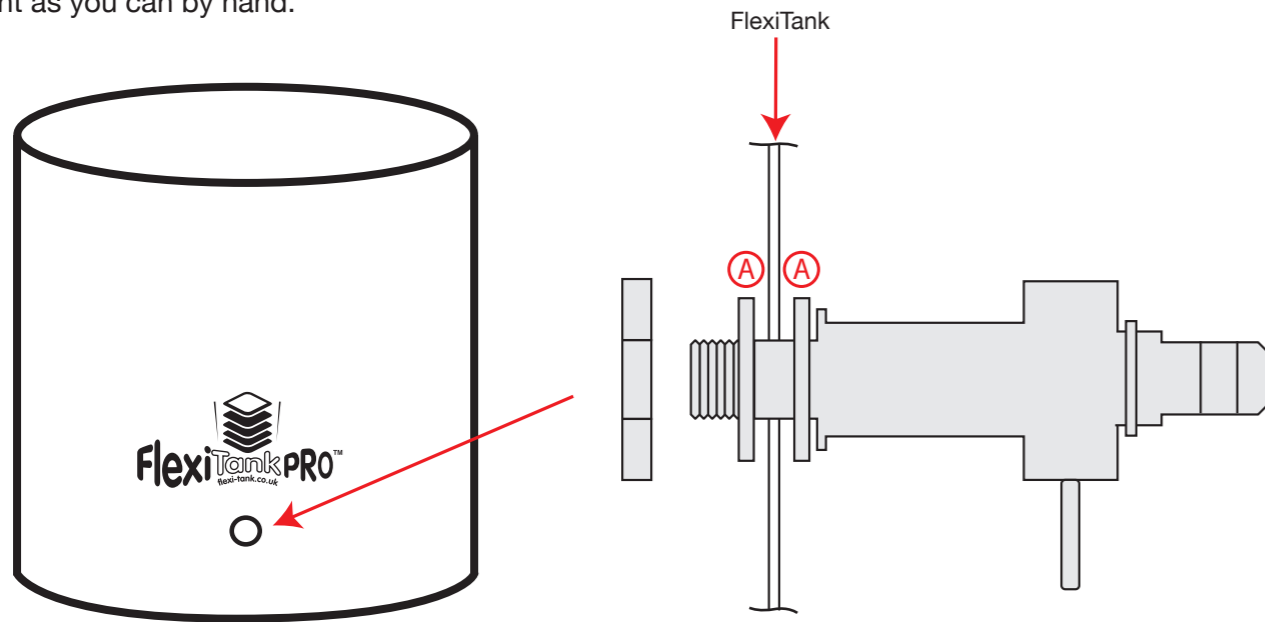
### Safety

Never drag or move the FlexiTank when Full of water. The FlexiTank should be completely drained before it is moved.



### Step 1

Fitting Outlet Tap:  
Push outlet tap through the FlexiTank, fitting the rubber washers as shown (A). Fit the tap upside down tightening as tight as you can by hand.

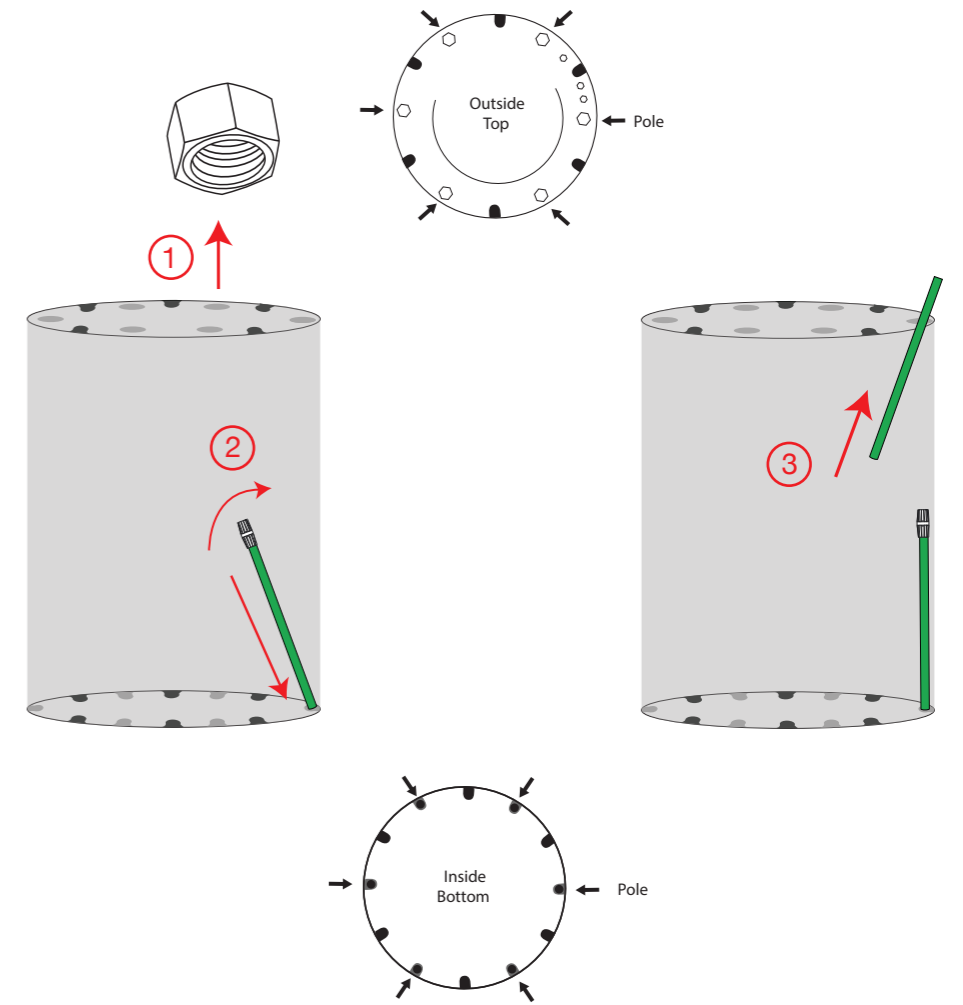


### Step 3

Fitting First Support Pole:

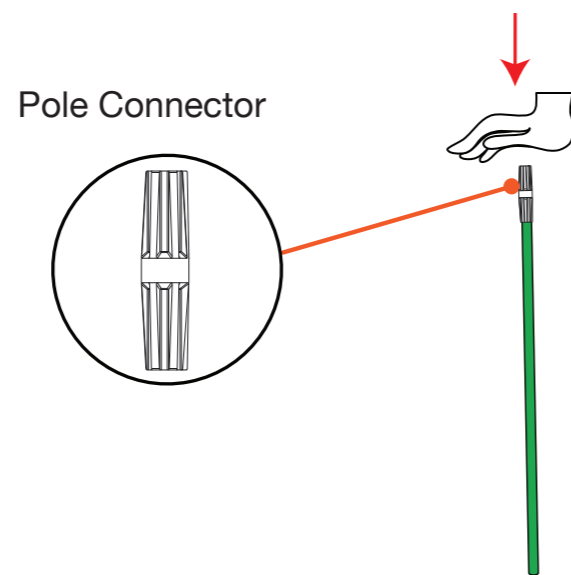
Accessing tank through top zipper.

- 1 Remove pole locking nuts from outside top.
- 2 Push lower part of support pole into bottom location feature and straighten.
- 3 Slot upper support pole through hole in upper ring.



### Step 2

Fit connector to six of the support poles.  
Ensure pole is fully inserted into connector by exerting pressure from above.



Fitting Support Pole Continued:

- 4 Straighten top support pole and fit into connector. Ensure pole is fully inserted into connector by exerting pressure from above.
- 5 While applying pressure to the underside of top ring, screw on pole locking nut.

